



AL18 Appliance Leakage-Current Interrupter(Advanced)

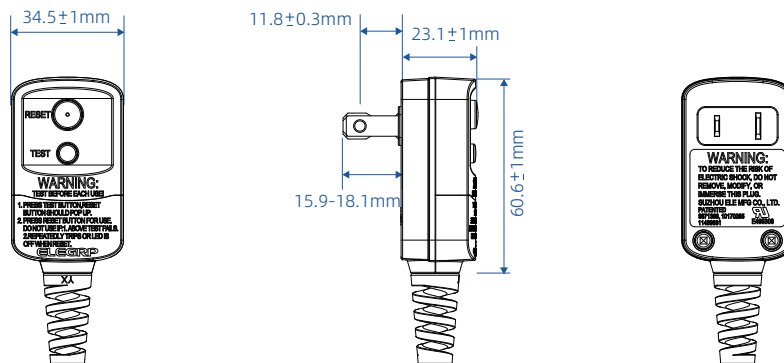
FEATURES

- Ultra-compact design, saving space of the duplex socket and enabling convenient portability during travel.
- Proprietary self-test technology, performing self-test every 5 seconds to enhance appliance safety.
- Unique "TWO-IN-ONE" dual voltage model (125V/250V), ensuring safety across different voltage levels and simplifying material management.
- LED safety working indicator light, providing users with secure operational guidance using new Reflective Filtered Indicator Technology.
- Protection provided in both wiring direction, preventing faults caused by reverse wiring.
- Split type design for easy removal and wiring, enabling standardization for stock and fast customer delivery.

SPECIFICATIONS

Model:AL18C

Application Executive Standard	UL 943B
Rated Voltage	125/250VAC or 120/240VAC
Rated Current	5A、7A、10A、13A、15A (Optional)
Rated Frequency	60Hz
Residual Operating Current	4-6mA
Tripping Time	≤25ms
Setting Automatic-test Cycle	≤5S
Indicator Light	Green
Endurance	≥6000 times (UL rated 3000 times)
Input Plug	1-15P (There is polarity)



ELEGRP

Create

***A Safer Living
Environment
For Your Home***

